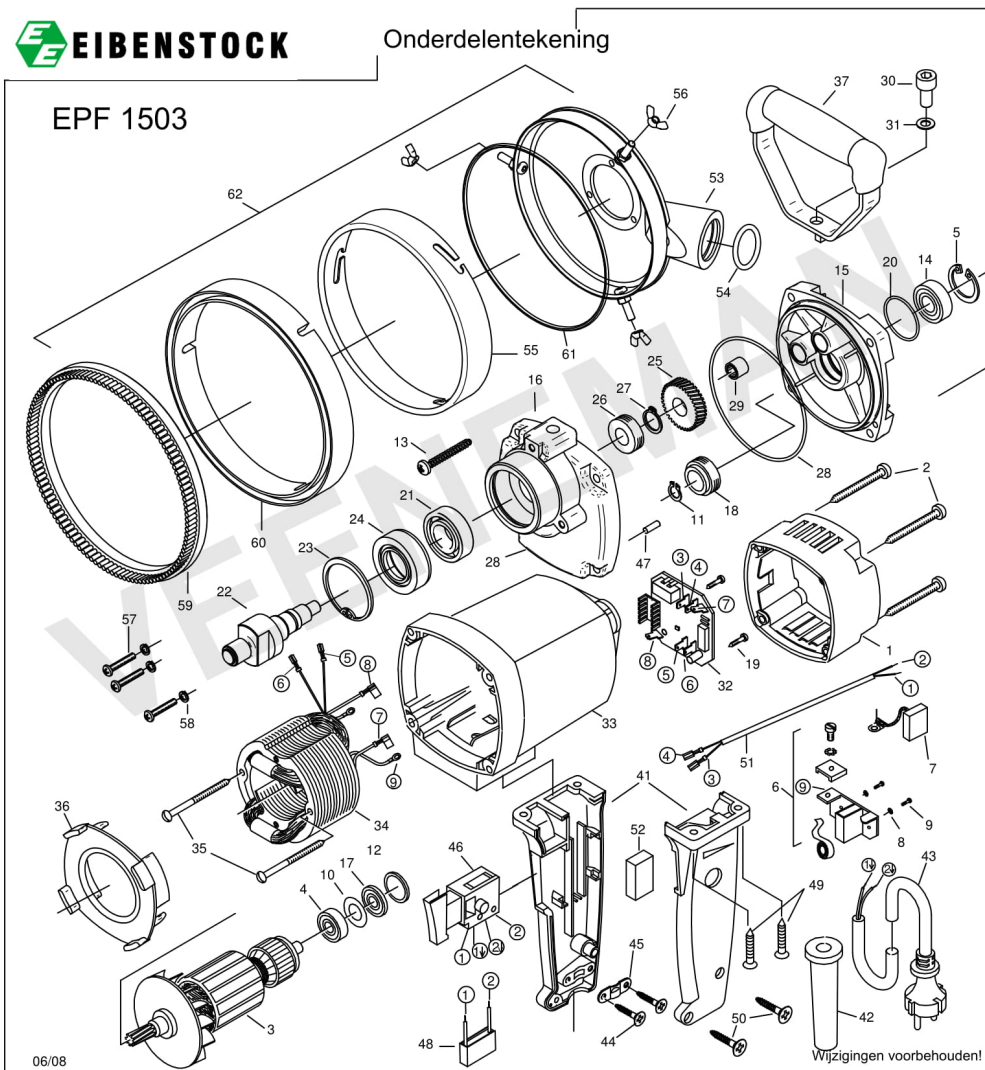


ONDERDELENTEKENING EPF 1503(10.098.06)



Positie

Artikelnummer

Omschrijving

0

10.698.03

Schroef cyl. HM5x12 DIN 7985

| | | |
|-----------|-----------|--------------------------------|
| 1 | 10.201.65 | Afdekkap |
| 2 | 10.568 | Plaatschroef HC4,8x45 DIN 7981 |
| 3 | 10.740.50 | Anker |
| 4 | 10.512 | Lager 608 2RSH - C3 |
| 5 | 10.530 | Borgring 28/1,2 DIN 472 |
| 6 | 10.572.10 | Koolborstelhouder set |
| 7 | 10.197.07 | Koolborstelset |
| 8 | 10.201.38 | Veerring B4 |
| 9 | 10.202.02 | Zelft. schroef ZM4x12 |
| 10 | 10.381.31 | Drukschijf |
| 11 | 10.381.18 | Borgring 9/1 |
| 12 | 10.720.11 | O-ring 22x0,5 |
| 13 | 10.197.01 | PT-schroef 50x35 |
| 14 | 10.525 | Lager 6001/2RSH-C3 |
| 15 | 10.740.07 | Tandwiellagerschild |
| 16 | 10.381.44 | Tandwielhuis |
| 17 | 10.740.06 | Magneetring EBS 125 serie |
| 18 | 10.381.02 | Wormafdichting |
| 19 | 10.200.08 | Zelftappende schroef HC 2,9x13 |
| 20 | 10.201.69 | O-Ring 28x1,5 |
| 21 | 10.623 | Lager 6003/2RSH-C3 |
| 22 | 10.381.13 | Hoofdas |
| 23 | 10.381.20 | Borgring 40/1,75 |
| 24 | 10.197.24 | Bus |
| 25 | 10.381.01 | Hoofdastandwiel 33z |
| 26 | 10.740.08 | Wormafdichting |
| 27 | 10.575.23 | Borgring 14/1 |
| 28 | 10.201.72 | O-Ring 85x1,78 |
| 29 | 10.527 | Naaldlager HK 0810 |
| 30 | 08.000.60 | Binnenzeskantbout cilin m10x20 |
| 31 | 10.381.22 | Ring 10 |

| | | |
|-----------|-----------|--------------------------------|
| 32 | 10.699.01 | Motorhuis |
| 34 | 10.197.34 | Veld compleet |
| 35 | 10.197.35 | Schroef C 3,9x60 |
| 36 | 10.201.76 | Luchtgeleiding |
| 37 | 10.381.16 | Handgreep |
| 41 | 10.381.30 | Handgreep twee delen |
| 42 | 10.519 | Kabeltule |
| 43 | 10.390 | Aansluitsnoer QWPK groen 2x1mm |
| 44 | 10.201.78 | Schroef HC 4,2x13 |
| 45 | 10.520 | Trekontlastingsklem |
| 46 | 10.197.46 | Schakelaar |
| 47 | 10.381.40 | Centreerstift 4x12 |
| 48 | 10.515 | Ontstoringscondensator |
| 49 | 10.563 | Plaatschroef 4,5x22 cyl. |
| 50 | 10.521 | Plaatschroef hc4,2x16 din 7981 |
| 51 | 10.201.79 | Aansluitsnoer 2 - 2dr |
| 52 | 10.200.07 | Opvulstuk |
| 53 | 10.381.45 | Afzuigingskap |
| 54 | 10.740.54 | O-Ring 35x4 NBR 70 |
| 55 | 10.381.46 | Diepteanslag |
| 56 | 08.001.06 | Vleugelmoer m6 |
| 57 | 10.698.03 | Schroef cyl. HM5x12 DIN 7985 |
| 58 | 08.003.25 | Veerring m5 |
| 59 | 10.381.47 | Stofring |
| 60 | 10.381.48 | Stofring houder |
| 61 | 10.381.49 | O-ring 157x4 |
| 62 | 12.345.21 | Beschermkap EPF 1503 |